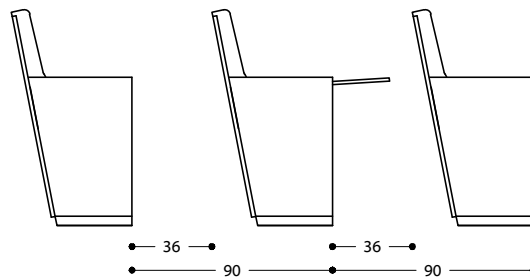
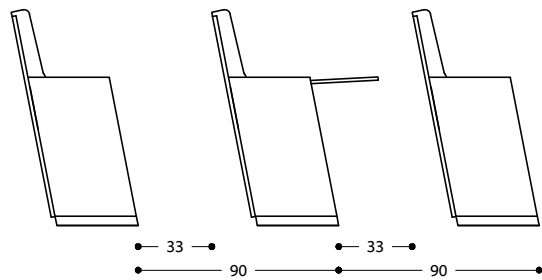
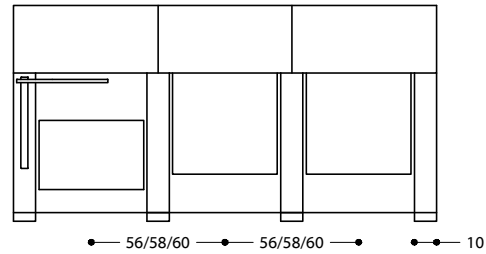
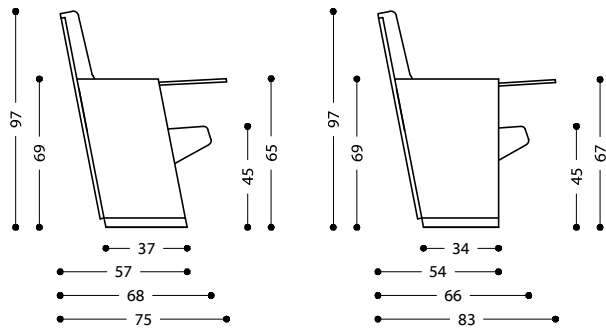
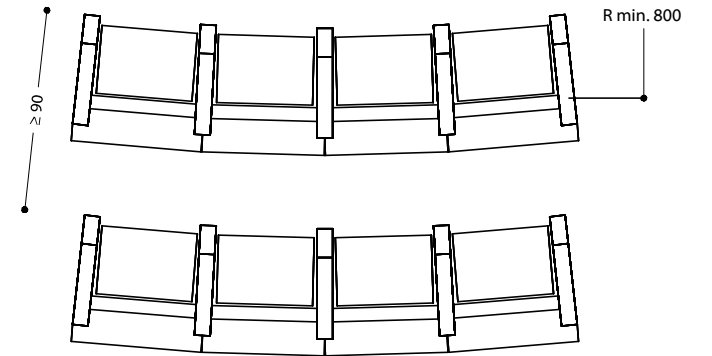
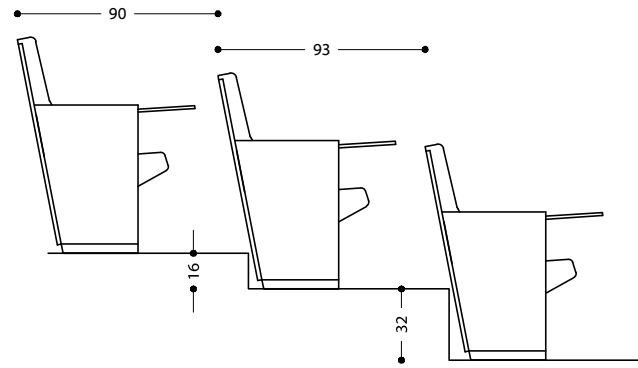
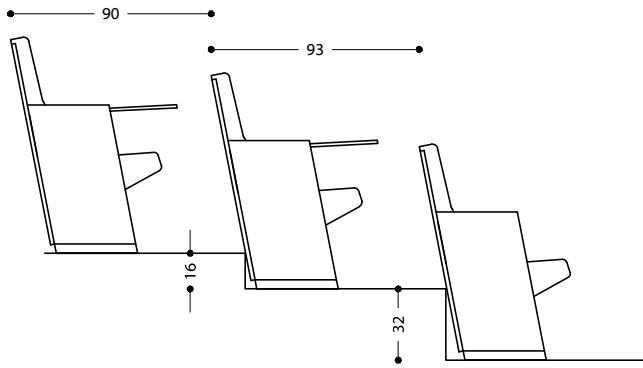


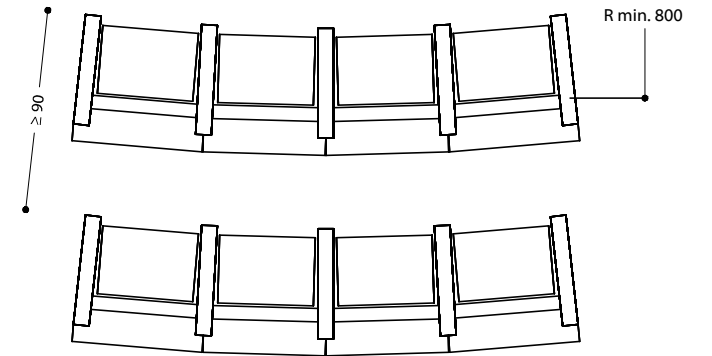
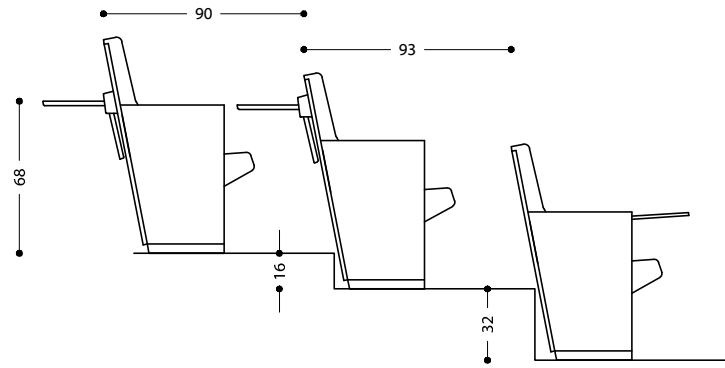
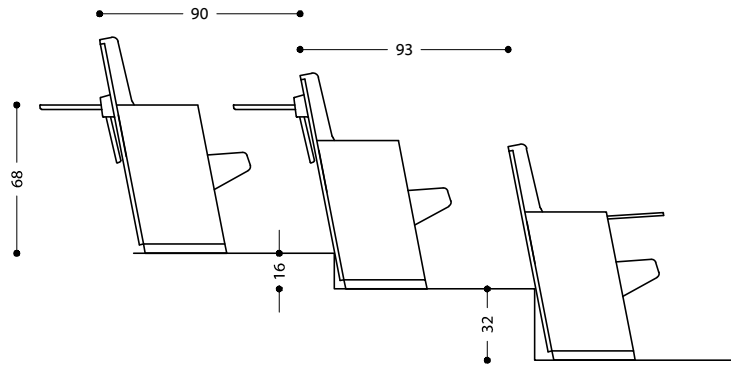
L213 with increased width side (inclined or straight)



L213 with standard or width side (inclined or straight)



L213 with standard or width side (inclined or straight)



L213 + T200 table

