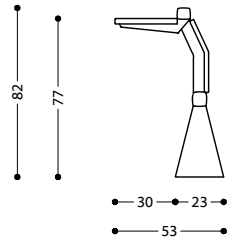
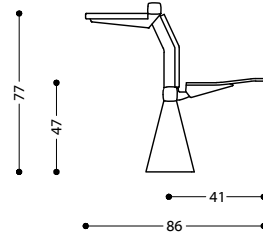
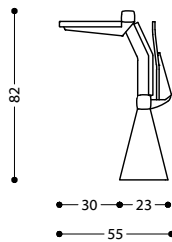
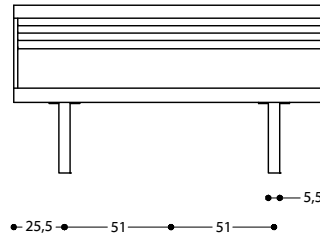


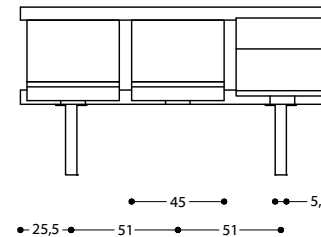
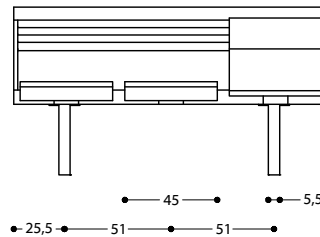
Runner piano fisso



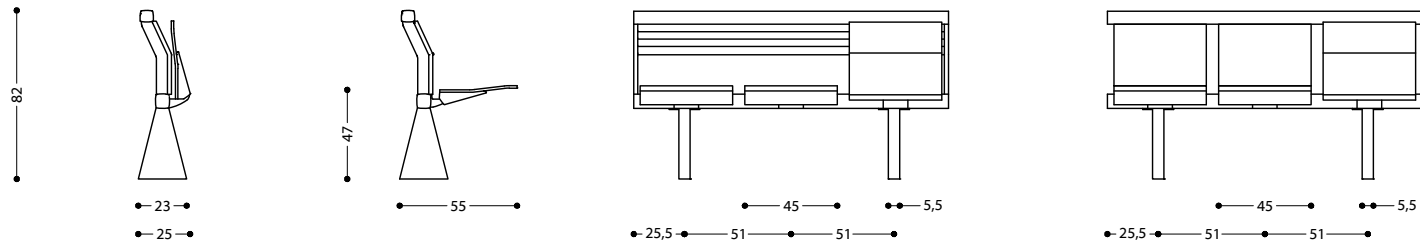
PRIMA FILA



FILA INTERMEDIA

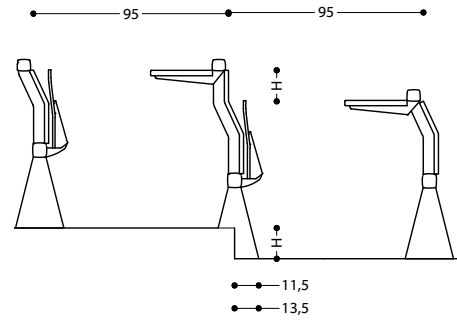
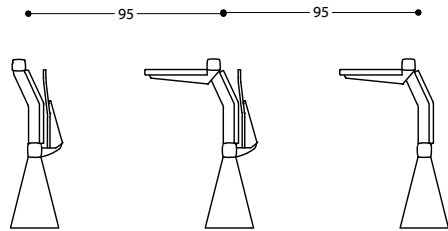


Runner piano fisso

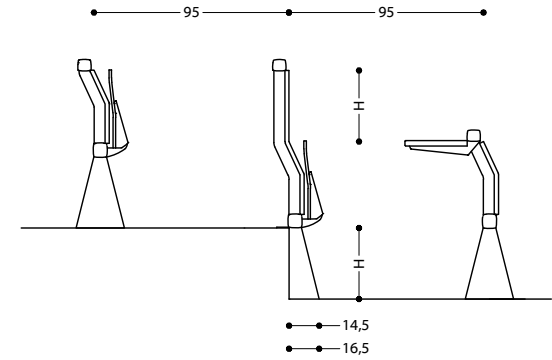


FILA TERMINALE

Runner piano fisso

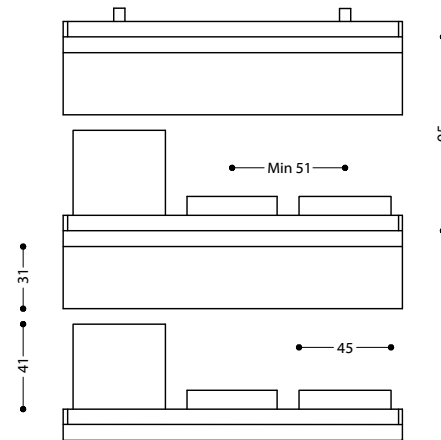
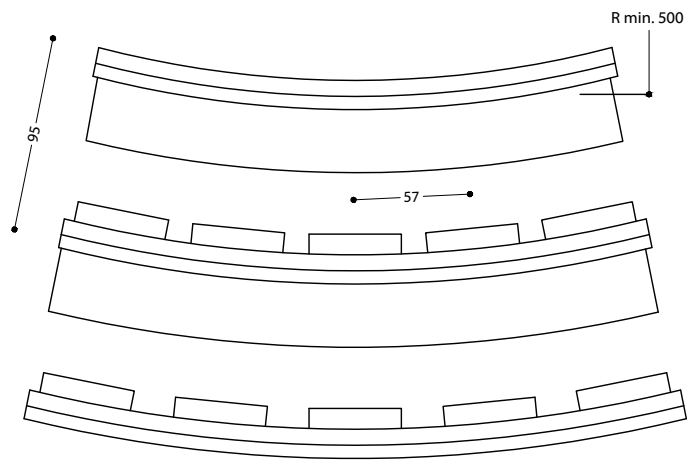


H = min 6
max 20

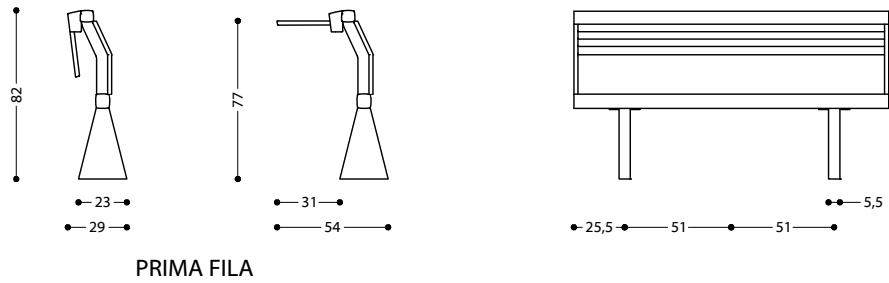


H = min 20
max 35

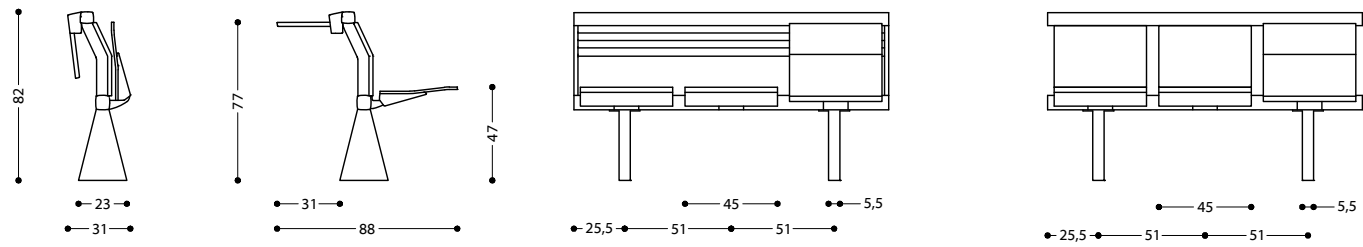
Runner piano fisso



Runner piano ribaltabile

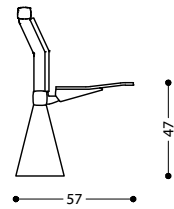
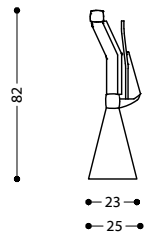


PRIMA FILA

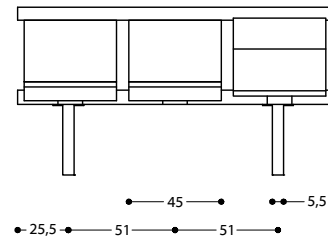
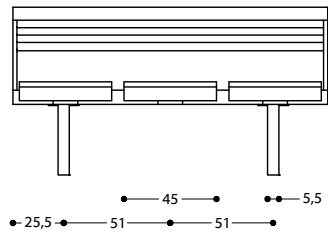


FILEA INTERMEDIA

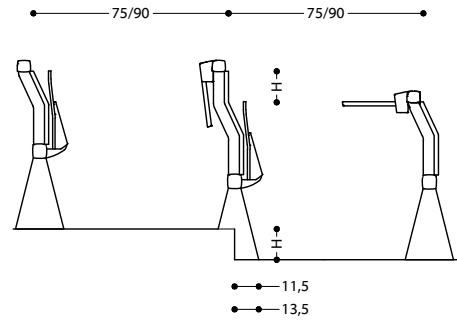
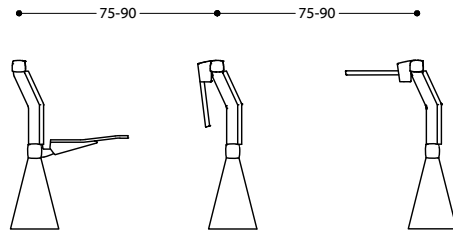
Runner piano ribaltabile



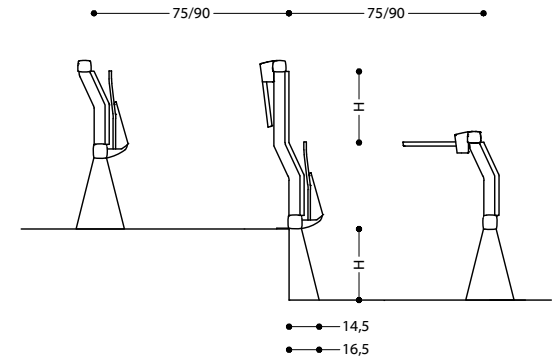
FILA TERMINALE



Runner piano ribaltabile



H = min 6
max 20



H = min 20
max 35

Runner piano ribaltabile

